

neco

志庆工业股份有限公司

志庆工业产品
Neco Technology Industry Co., Ltd.

专业自行车零件制造商
Professional Bike
Parts Manufacturers

2024-2025



零贝电机科技（上海）有限公司

Lingbei Motor Technology (Shanghai) Co., Ltd.

01

ENTERPRISE INTRODUCTION

志庆—专业自行车零件制造商。

于1986年志庆工业股份有限公司在台湾台中成立。总经理王进源先生个人从机械模具的设计和开发跨足自行车业界更是已超过30年时间，近年来更致力于发展不同自行车零件产品。

为了提供高品质的产品和扩大工厂产能，我们专注于制造头碗组和五通碗组。我们不仅可以覆盖广泛的应用范围和表面处理，我们也可发展到冷锻，铸压，CNC车床，等等加工能力。

从2010年开始，志庆公司已扩大产品种类，包括CNC踏板，花鼓和齿盘。为了提供最好的产品与服务 and 最短的交货时间，志庆有限公司已在中国成立4家工厂；1997年起陆续在广东省顺德市成立永庆，2000年在句容市天王镇成立志新，2013年在天津市静海区成立明特，2019年在上海浦东新区入股零贝。

台湾志庆厂以最先进的研究设备，不断专注研发高端产品，扩大设计能力。志庆会尽力提供CNC高阶零件到入门低阶产品组合来满足的市场需求。志庆会一直继续努力，满足所有的客户的产品需求，并提供有竞争力，高价值的产品。



目录

CONTENTS

企业介绍

ENTERPRISE INTRODUCTION

中置电机组件

CENTRAL MOTOR ASSEMBLY

显示器组件

DISPLAY COMPONENTS

公路自行车组件

ROAD BIKE COMPONENTS

山地自行车组件

MOUNTAIN BIKE COMPONENTS

02

Central
motor assembly
中置电机组件



MM28N

主要规格 Core Data

安装位置 Position	中置电机 Mid Motor
轮径 Wheel Diameter (Inch)	可选 Optional
结构 Construction	齿轮传动 Gear drive
额定电压 Rated Voltage (DCV)	36/43/48
空载转速 n0 (Rpm)	85/120
额定功率 Rated Power (W)	250/350/500 /750W
最大扭矩Max Torque	96 N.m
效率 Efficiency (%)	≥ 80
助力传感器 Pedal Sensor	速度与力矩 Speed and Torque Integrated
轴标准 Shaft Standard	JIS
颜色 Color	黑色/银色 Black / Silver
重量 Weight (kg)	3.6
噪音 Noise Grade (dB)	< 52
工作温度 Operating Temperature	-20-45°C

功能 Function

刹车& 集线器 Multi box 是 Yes

更多技术参数 Further Specifications

磁钢数 (脉冲/周期)	
Speed Detection Signal (Pulses/Cycle)	1
电机极数 Magnet Poles (2P)	16

认证 Certifications

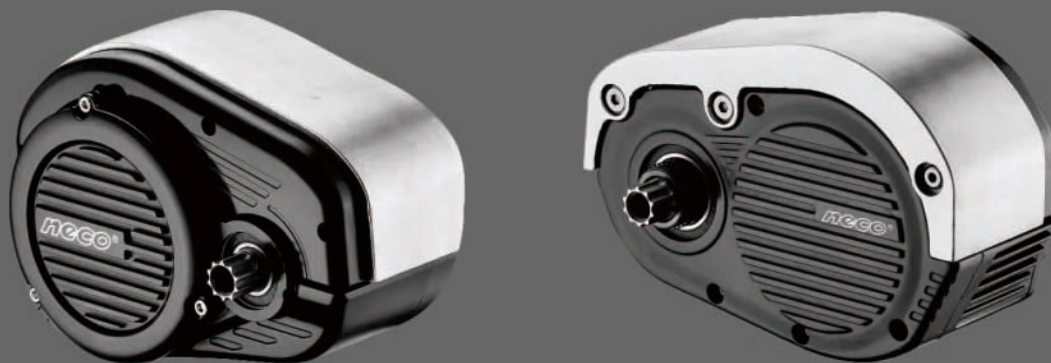
认证 Certifications CE/EN13849/ROSH



With an integrated torque sensor and speed sensor, this mid-drive motor, which is compatible with a 68-73mm bottom bracket, has a rated power of 250W- 500W, a reduction ratio of 1: 23.3 and a maximum torque of 96 N.m, will provide the rider with great explosive force when starting the system. Highly strong and efficient, this motor greatly enhances riding joy and is suitable for mountain bikes and sand bikes which are the favorites of riders who love challenges as well as transport bikes. This motor is black.

此款中置电机易安装, 适用于五通68/73mm的自行车, 额定功率为250W-500W, 力矩结合速度型助力, 减速比为1:23.3, 最大扭矩96N.m, 能为车辆提供超强劲的爆发力。超强劲、高效的特点, 大幅度增加骑行乐趣, 充分满足骑行爱好者的挑战需求, 适合于山地车、运输车、沙滩车。这款电机的颜色为黑色。





▶ MM20 Max

此款中置电机集成了高敏度的力矩传感器和速度传感器，采样到的曲柄力矩、整车速度、脚踏转动速度等多种信息被反馈给控制器，对整车实现精准控制，使能量效率发挥到极限，达到车随人愿、自由掌控的效果。其能够提供充足的动力性能，最大力矩可达175 N.m以上，但产生的噪音却很低。控制器与电机的模块化设计，使得拆装更为方便，提高了服务响应速度。电机颜色为黑色、灰色和银色。

The mid-drive motor constantly samples relevant information at a frequency of up to 80k Hz via a torque sensor and two speed sensors which are all highly sensitive. The resulting data on crank torque, vehicle speed and the speed of rotation of the pedals is made available to the controller, ensuring precise control of the vehicle while achieving the highest possible efficiency. The Max

Drive System puts the rider in complete control. In spite of a generous power output and a maximum torque of more than 175 N.m, the motor operates in virtual silence. The modular motor design and integrated controller make disassembly easier and improve service responsiveness. This motor can be black or silver.

中置电机Mid Motor

主要规格Core Data

安装位置Position	中置电机Mid Motor
轮径Wheel Diameter (Inch)	可选Optional
结构Construction	齿轮传动Gear drive
额定电压Rated Voltage (DCV)	48/52/60
空载转速n0 (Rpm)	160
额定功率Rated Power (W)	750W/1000W/1500W
最大扭矩Max Torque	175 N.m
效率Efficiency (%)	≥80
助力传感器Pedal Sensor	速度与力矩Speed and Torque Integrated
轴标准Shaft Standard	ISIS
颜色Color	黑色/银色Black 1 Silver
重量Weight (kg)	5.1
噪音Noise Grade (dB)	< 55
工作温度Operating Temperature	-20-45°C

功能Function

刹车&集线器Multi box 是Yes

更多技术参数Further Specifications

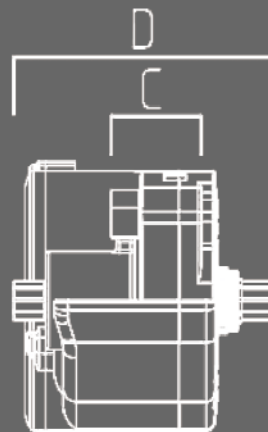
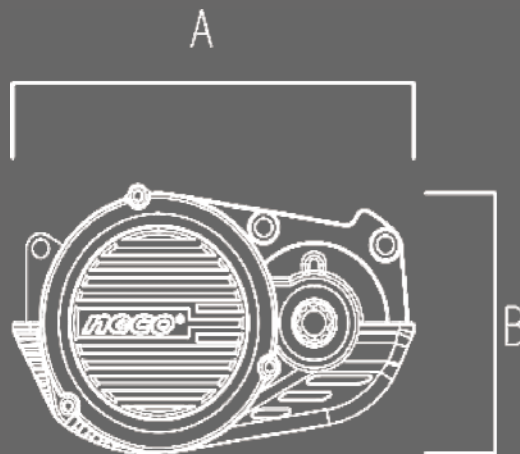
磁钢数(脉冲1周期)Speed Detection Signal (Pulses/Cycle)	1
电机极数Magnet Poles (2P)	8

认证Certifications

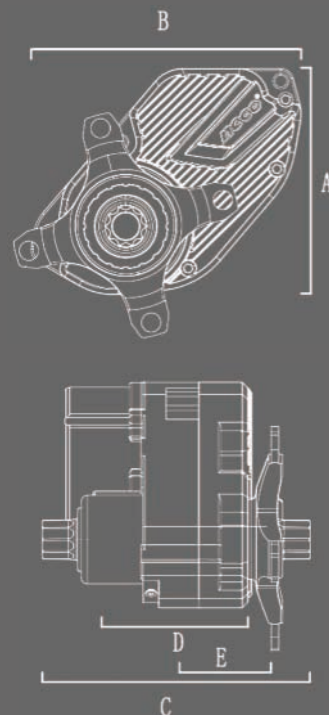
认证Certifications CE/EN13849/ROSH

尺寸DIMENSIONS

尺寸Dimension A	232mm
尺寸Dimension B	140mm
尺寸Dimension C	52mm
尺寸Dimension D	148mm



▶ MM68



规格SPECIFICATIONS

主要规格 Core Data

安装位置 Position	中置电机 Mid Motor
轮径 Wheel Diameter (Inch)	可选 Optional
结构 Construction	齿轮传动 Gear drive
额定电压 Rated Voltage (DCV)	36V
空载转速 n0 (Rpm)	125±10
额定转速 nt(Rpm)	120±10
额定功率 Rated Power (W)	250
空载电流 (A)	≤1.2A
额定电流 Rated Current(A)	≤8A
最大扭矩Max Torque	78N.m
效率 Efficiency (%)	≥ 79
助力传感器 Pedal Sensor	速度与力矩 Speed and Torque
轴标准 Shaft Standard	ISIS
颜色 Color	黑色/银色 Black / Silver
重量 Weight (kg)	≤2.3
噪音 Noise Grade (dB)	≤ 55
工作温度 Operating Temperature	-20-45°C
功能 Function	
刹车& 集线器 Multi box	是 Yes

更多技术参数 Further Specifications

磁钢数 (脉冲/周期)	
Speed Detection Signal (Pulses/Cycle)	1
电机极数 Magnet Poles (2P)	10
认证 Certifications	
认证 Certifications	CE/EN13849/ROSH
尺寸 DIMENSIONS	
尺寸 Dimension A	117mm
尺寸 Dimension B	140mm
尺寸 Dimension C	139 mm
尺寸 Dimension D	76
尺寸 Dimension E	47.5

此款中置电机集成了高敏度的力矩传感器和速度传感器，采样到的曲柄力矩、整车速度、脚踏转动速度等多种信息被反馈给控制器，对整车实现精准控制，使能量效率发挥到极限，达到车随人愿、自由掌控的效果。其能够提供充足的动力性能，最大力矩可达 78N.m 以上，但产生的噪音却很低。控制器与电机的模块化设计，使得拆装更为方便，提高了服务响应速度。电机颜色为黑色、灰色和银色。

This mid mounted motor integrates highly sensitive torque sensors and speed sensors. The sampled crankshaft torque, vehicle speed, foot pedal rotation speed, and other information are fed back to the controller, achieving precise control of the entire vehicle, maximizing energy efficiency, and achieving the effect of car following people's wishes and free control. It can provide sufficient power performance, with a maximum torque of over 78N. m, but the generated noise is very low. The modular design of the controller and motor makes disassembly and assembly more convenient, improving service response speed. The motor colors are black, gray, and silver.

MM18

主要规格 Core Data

安装位置 Position	中置电机 Mid Motor
轮径 Wheel Diameter (Inch)	可选 Optional
结构 Construction	齿轮传动 Gear drive
额定电压 Rated Voltage (DCV)	36/43/48
空载转速 n0 (Rpm)	85/100
额定功率 Rated Power (W)	250/350/500
最大扭矩 Max Torque	100 N.m
效率 Efficiency (%)	≥ 80
助力传感器 Pedal Sensor	速度与力矩 Speed and Torque Integrated
轴标准 Shaft Standard	JIS
颜色 Color	黑色/银色 Black / Silver
重量 Weight (kg)	3.6
噪音 Noise Grade (dB)	< 55
工作温度 Operating Temperature	-20-45°C

功能 Function

刹车& 集线器 Multi box 是 Yes

更多技术参数 Further Specifications

磁钢数 (脉冲/周期)	
Speed Detection Signal (Pulses/Cycle)	1
电机极数 Magnet Poles (2P)	16

认证 Certifications

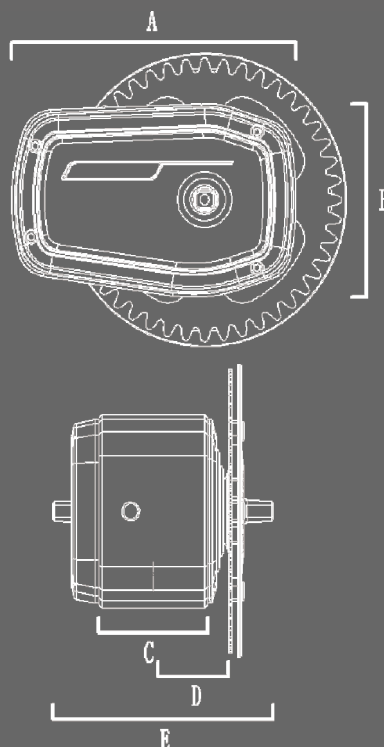
认证 Certifications CE/EN13849/ROSH

尺寸 DIMENSIONS

尺寸 Dimension A	191mm
尺寸 Dimension B	125mm
尺寸 Dimension C	73 mm
尺寸 Dimension D	47 mm
尺寸 Dimension E	148 mm

此款中置电机集成了高敏度的力矩传感器和速度传感器，采样到的曲柄力矩、整车速度、脚踏转动速度等多种信息被反馈给控制器，对整车实现精准控制，使能量效率发挥到极限，达到车随人愿、自由掌控的效果。其能够提供充足的动力性能，最大扭矩可达 100N.m 以上，但产生的噪音却很低。控制器与电机的模块化设计，使得拆装更为方便，提高了服务响应速度。电机颜色为黑色、灰色和银色。

The mid-drive motor constantly samples relevant information at a frequency of up to 80k Hz via a torque sensor and two speed sensors which are all highly sensitive. The resulting data on crank torque, vehicle speed and the speed of rotation of the pedals is made available to the controller, ensuring precise control of the vehicle while achieving the highest possible efficiency. The Max Drive System puts the rider in complete control. In spite of a generous power output and a maximum torque of more than 100 N.m, the motor operates in virtual silence. The modular motor design and integrated controller make disassembly easier and improve service responsiveness. This motor can be black or silver.



MM60S



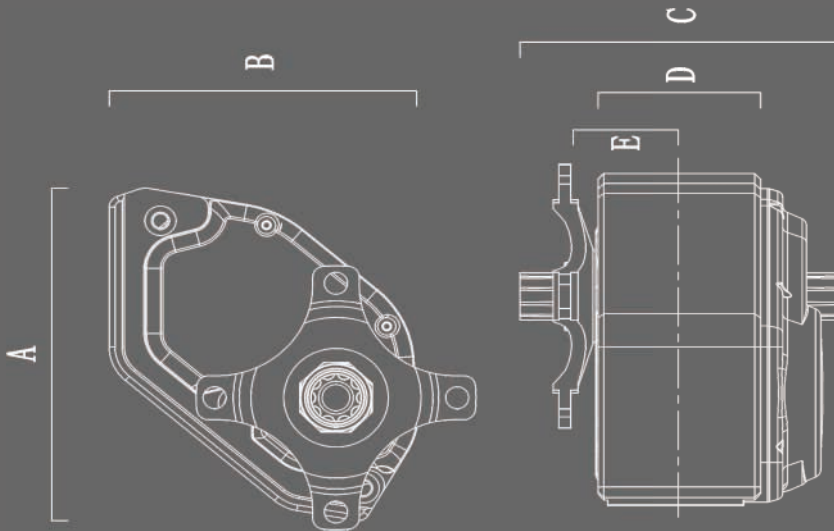
主要规格 Core Data	
安装位置 Position	中置电机 Mid Motor
轮径 Wheel Diameter (Inch)	可选 Optional
结构 Construction	齿轮传动 Gear drive
额定电压 Rated Voltage (DCV)	36
空载转速 n0 (Rpm)	125
额定功率 Rated Power (W)	200
最大扭矩 Max Torque	60 N.m
效率 Efficiency (%)	≥ 80
助力传感器 Pedal Sensor	速度与力矩 Speed and Torque Integrated
轴标准 Shaft Standard	ISIS
颜色 Color	黑色/银色 Black / Silver
重量 Weight (kg)	2.8
噪音 Noise Grade (dB)	< 55
工作温度 Operating Temperature	-20-45°C

功能 Function	
刹车&集线器 Multi box	是 Yes

更多技术参数 Further Specifications	
磁钢数 (脉冲/周期) Speed Detection Signal (Pulses/Cycle)	1
电机极数 Magnet Poles (2P)	10

认证 Certifications	
认证 Certifications	CE/EN13849/ROSH

尺寸 DIMENSIONS	
尺寸 Dimension A	151mm
尺寸 Dimension B	133mm
尺寸 Dimension C	137mm
尺寸 Dimension D	70mm
尺寸 Dimension E	44.5/47.5



The mid-drive motor constantly samples relevant information at a frequency of up to 80k Hz via a torque sensor and two speed sensors which are all highly sensitive. The resulting data on crank torque, vehicle speed and the speed of rotation of the pedals is made available to the controller, ensuring precise control of the vehicle while achieving the highest possible efficiency. The Max Drive System puts the rider in complete control. In spite of a generous power output and a maximum torque of more than 60 N.m, the motor operates in virtual silence. The modular motor design and integrated controller make disassembly easier and improve service responsiveness. This motor can be black or silver.

此款中置电机集成了高敏度的力矩传感器和速度传感器，采样到的曲柄力矩、整车速度、脚踏转动速度等多种信息被反馈给控制器，对整车实现精准控制，使能量效率发挥到极限，达到车随人愿、自由掌控的效果。其能够提供充足的动力性能，最大力矩可达 60N.m 以上，但产生的噪音却很低。控制器与电机的模块化设计，使得拆装更为方便，提高了服务响应速度。电机颜色为黑色、灰色和银色。

► M58RD



主要规格 Core Data

安装位置 Position	后置马达 Rear Motor
轮径 Wheel Diameter (Inch)	20/26/27.5/28
结构 Construction	齿轮传动 Gear drive
额定电压 Rated Voltage (DCV)	36/48
额定功率 Rated Power (W)	350/500/750
时速 speed(kph)	25~45
最大扭矩 Max Torque	60N.m
效率 Efficiency (%)	≥ 80
颜色 Color	黑/银 Black / Silver
重量 Weight (kg)	3.6
噪音 Noise Grade (dB)	< 55
工作温度 Operating Temperature	-20-45°C

安装参数 Mounting Parameters

刹车 Brake	碟刹 Disc Brake
开档尺寸 Installation Widths (mm / OLD)	142
最大外径 Max. Housing Diameter (mm)	158
辐条孔中心距 Spoke Pitch	145
变速 Gearshift	飞轮 Freewheel(7S/8S)
出线位置 Cabling Route	轴侧, 左侧 Shaft Side, Left
辐条规格 Spoke Specification	36H*12G

更多技术参数 Further Specifications

磁钢数 Speed Detection Signal (脉冲/周期 Pulses/Cycle)	1~6
电机极数 Magnet Poles (2P)	20

认证 Certifications

认证 Certifications	CE/EN13849/ROSH
-------------------	-----------------

M58CD ◀

主要规格 Core Data

安装位置 Position	后置马达 Rear Motor
轮径 Wheel Diameter (Inch)	20/26/27.5/28
结构 Construction	齿轮传动 Gear drive
额定电压 Rated Voltage (DCV)	36/48
额定功率 Rated Power (W)	350/500/750
时速 speed(kph)	25~45
最大扭矩 Max Torque	60N.m
效率 Efficiency (%)	≥ 80
颜色 Color	黑/银 Black / Silver
重量 Weight (kg)	3.6
噪音 Noise Grade (dB)	< 55
工作温度 Operating Temperature	-20-45°C

安装参数 Mounting Parameters

刹车 Brake	碟刹 Disc Brake
开档尺寸 Installation Widths (mm / OLD)	145
最大外径 Max. Housing Diameter (mm)	158
辐条孔中心距 Spoke Pitch	145
变速 Gearshift	卡基CASSETTE(7S/8S/9S)
出线位置 Cabling Route	左侧轴中心 Shaft Side, Left
辐条规格 Spoke Specification	36H*12G

更多技术参数 Further Specifications

磁钢数 Speed Detection Signal (脉冲/周期 Pulses/Cycle)	1~6
电机极数 Magnet Poles (2P)	20

认证 Certifications

认证 Certifications	CE/EN13849/ROSH
-------------------	-----------------



▶ M58FD



主要规格 Core Data	
安装位置 Position	前置马达 Front Motor
轮径 Wheel Diameter (Inch)	20/26/27.5/28
结构 Construction	齿轮传动 Gear drive
额定电压 Rated Voltage (DCV)	36/43/48
额定功率 Rated Power (W)	350/500/750
时速 speed(kph)	25~45
最大扭矩 Max Torque	60N.m
效率 Efficiency (%)	≥ 80
颜色 Color	黑/银 Black / Silver
重量 Weight (kg)	3.6
噪音 Noise Grade (dB)	< 55
工作温度 Operating Temperature	-20-45°C

安装参数 Mounting Parameters	
刹车 Brake	V刹/碟刹 V/Disc Brake
开档尺寸 Installation Widths (mm / OLD)	100
最大外径 Max. Housing Diameter (mm)	158
辐条孔中心距 Spoke Pitch	145
变速 Gearshift	/
出线位置 Cabling Route	轴出线, 右侧 Through Shaft, Right
辐条规格 Spoke Specification	36H*12G

更多技术参数 Further Specifications	
磁钢数 Speed Detection Signal (脉冲/周期 Pulses/Cycle)	1~6
电机极数 Magnet Poles (2P)	20

认证 Certifications	
认证 Certifications	CE/EN13849/ROSH

主要规格Core Data	
安装位置Position	前置马达Front Motor
轮径Wheel Diameter (Inch)	20/26/27.5/28
结构Construction	齿轮传动Gear drive
额定电压Rated Voltage (DCV)	36/48/52
额定功率Rated Power (W)	350/500/750/1000
时速speed (kph)	25~50
最大扭矩Max Torque	80N. m
效率Efficiency (%)	≥80
颜色Color	黑/银Black / Silver
重量Weight (kg)	4.5
噪音Noise Grade (dB)	<55
工作温度Operating Temperature	20-45C

安装参数Mounting Parameters	
刹车Brake	碟刹Disc Brake
开档尺寸Installation Widths (mm / OLD)	135
最大外径Max. Housing Diameter (mm)	158
辐条孔中心距Spoke Pitch	145
出线位置Cabling Route	轴侧, 右侧Shaft Side, Right
辐条规格Spoke Specification	36H*12G

更多技术参数Further Specifications	
磁钢数Speed Detection Signal (脉冲/周期)	1
电机极数Magnet Poles (2P)	20
认证Certifications	CE/ROHS/EN13849

▶ M58FD-X



此款电机为后置驱动型，配碟刹使用，额定功率为350W- 750-1000W,减速比为1:5，最大扭矩80 N.m,为车辆提供理想的动力。强劲、高效的特点、多级旋式和卡式变速机构，大幅度提升骑行舒适感，适合于沙滩车、雪地车。共有黑色和银色两种颜色可选。

This rear-drive motor, which is compatible with the disc brake, has a rated power of 750W, a reduction ratio of 1: 5 and a maximum torque of 80 N.m, providing ideal power for vehicles. Strong and efficient, this motor, working together with a cassette or freewheel speed change mechanism, greatly enhances riding comfort and is suitable for beach buggies and snow bikes. It can be black or silver.

◀ M58CD-X



主要规格 Core Data

安装位置 Position	后置马达 Rear Motor
轮径 Wheel Diameter (Inch)	20/26/27.5/28
结构 Construction	齿轮传动 Gear drive
额定电压 Rated Voltage (DCV)	36/48
额定功率 Rated Power (W)	350/500/750/1000
时速 speed(kph)	25~45
最大扭矩 Max Torque	80N.m
效率 Efficiency (%)	≥ 80
颜色 Color	黑/银 Black / Silver
重量 Weight (kg)	4.8
噪音 Noise Grade (dB)	< 55
工作温度 Operating Temperature	-20~45°C

安装参数 Mounting Parameters

刹车 Brake	碟刹 Disc Brake
开档尺寸 Installation Widths (mm / OLD)	170/190
最大外径 Max. Housing Diameter (mm)	158
辐条孔中心距 Spoke Pitch	145
变速 Gearshift	卡基CASSETTE(7S/8S/9S)
出线位置 Cabling Route	左侧轴中心Shaft Side, Left
辐条规格 Spoke Specification	36H*12G

更多技术参数 Further Specifications

磁钢数 Speed Detection Signal (脉冲/周期 Pulses/Cycle)	1~6
电机极数 Magnet Poles (2P)	20

认证 Certifications

认证 Certifications	CE/EN13849/ROSH
-------------------	-----------------

主要规格 Core Data

安装位置 Position	后置马达 Rear Motor
轮径 Wheel Diameter (Inch)	20/26/27.5/28
结构 Construction	齿轮传动 Gear drive
额定电压 Rated Voltage (DCV)	36/48
额定功率 Rated Power (W)	350/500/750/1000
时速 speed(kph)	25~45
最大扭矩 Max Torque	80N.m
效率 Efficiency (%)	≥ 80
颜色 Color	黑/银 Black / Silver
重量 Weight (kg)	4.8
噪音 Noise Grade (dB)	< 55
工作温度 Operating Temperature	-20~45°C

安装参数 Mounting Parameters

刹车 Brake	碟刹 Disc Brake
开档尺寸 Installation Widths (mm / OLD)	170/190
最大外径 Max. Housing Diameter (mm)	158
辐条孔中心距 Spoke Pitch	145
变速 Gearshift	飞轮 Freewheel (7S/8S)
出线位置 Cabling Route	轴侧，左侧 Shaft Side, Left
辐条规格 Spoke Specification	36H*12G

更多技术参数 Further Specifications

磁钢数 Speed Detection Signal (脉冲/周期 Pulses/Cycle)	1~6
电机极数 Magnet Poles (2P)	20

认证 Certifications

认证 Certifications	CE/EN13849/ROSH
-------------------	-----------------

◀ M58RD-X



▶ M30CD-T (New)



规格 SPECIFICATIONS	
主要规格 Core Data	
安装位置 Position	M30CD-T筒轴轮毂电机
轮径 Wheel Diameter (Inch)	20/24//26/700C/28
减速比Reduction Ratio	1 : 4.3
结构 Construction	齿轮传动 Gear drive
额定电压 Rated Voltage (DCV)	36/48
额定功率 Rated Power (W)	250W/350w
时速 speed(kph)	25 ~ 32
最大扭矩 Max Torque	45N.m
效率 Efficiency (%)	≥ 80
颜色 Color	黑/银 Black / Silver
重量 Weight (kg)	3.3
噪音 Noise Grade (dB)	< 52
工作温度 Operating Temperature	-20-45°C
电机极数 Magnet Poles (2P)	20
安装参数 Mounting Parameters	
刹车 Brake	碟刹 Disc Brake
干档尺寸 Installation Widths (mm / OLD)	142/148
最大外径 Max. Housing Diameter (mm)	158
辐条孔中心距 Spoke Pitch	145
变速 Gearshift	卡基 Cassette (8S/9S/10S/11S)
出线位置 Cabling Route	轴侧, 左侧 Shaft Side, Left
辐条规格 Spoke Specification	36H*13G
更多技术参数 Further Specifications	
磁钢数 Speed Detection Signal (脉冲/周)	1~6
电机极数 Magnet Poles (2P)	20
认证 Certifications	
认证 Certifications	CE/EN13849/ROSH

This rear-drive motor, which is compatible with the disc brake, has a rated power of 250W/350W, maximum torque of 45 N.m, providing ideal power for vehicles. Strong and efficient, this motor, working together with a cassette speed change mechanism, greatly enhances riding comfort and is suitable for touring bikes, commuter bikes and mountain bikes. It can be black or silver.

此款电机为后置驱动型，配碟刹使用，额定功率为250W/350W，最大扭矩45 N.m，为车辆提供理想的动力。强劲、高效的特点，结合卡式变速机构，大幅度提升骑行舒适感，适合于旅行车，通勤车，山地车。这款电机为黑色、银色两种颜色。

▶ M58RD-XY



此款电机为后置驱动型，配碟刹使用，额定功率为250~1000W，减速比为1:5，最大扭矩85 N.m，为车辆提供理想的动力。强劲、高效的特点、多级旋式和卡式变速机构，大幅度提升骑行舒适感，适合于沙滩车、雪地车。共有黑色和银色两种颜色可选。

主要规格 Core Data

安装位置 Position	后置马达 Rear Motor
轮径 Wheel Diameter (Inch)	20Inch 4.0
结构 Construction	齿轮传动 Gear drive
额定电压 Rated Voltage (DCV)	36/48/52
额定功率 Rated Power (W)	250/350/500/750/1000
时速 speed(kph)	25 ~ 50
最大扭矩 Max Torque	85N.m
效率 Efficiency (%)	≥ 80
颜色 Color	黑/银 Black / Silver
重量 Weight (kg)	4.5 ~ 5.5
噪音 Noise Grade (dB)	< 55
工作温度 Operating Temperature	-20-45°C

安装参数 Mounting Parameters

刹车 Brake	碟刹 Disc Brake
开档尺寸 Installation Widths (mm / OLD)	175
最大外径 Max. Housing Diameter (mm)	/
辐条孔中心距 Spoke Pitch	/
变速 Gearshift	飞轮 Freewheel(7S/8S)
出线位置 Cabling Route	轴出线，右侧 Through Shaft, Right
辐条规格 Spoke Specification	/
更多技术参数 Further Specifications	
磁钢数 Speed Detection Signal (脉冲/周期)	1~6
电机极数 Magnet Poles (2P)	20inch
认证 Certifications	
认证 Certifications	CE/EN13849/ROSH

This rear-drive motor, which is compatible with the disc brake, has a rated power of 1000W, a reduction ratio of 1: 5 and a maximum torque of 85 N.m, providing ideal power for vehicles. Strong and efficient, this motor, working together with a cassette or freewheel speed change mechanism, greatly enhances riding comfort and is suitable for beach buggies and snow bikes. It can be black or silver.

▶ M58RD-N



此款电机为后置驱动型，配碟刹使用，额定功率为350~500W，最大扭矩60N.m，为车辆提供理想的动力。强劲、高效的特点，大幅度提升骑行舒适感，适合于旅行车，通勤车，山地车。这款电机为黑色、银色两种颜色。

规格 SPECIFICATIONS

主要规格 Core Data

安装位置 Position	后置马达 Rear Motor
轮径 Wheel Diameter (Inch)	20/26/27.5/28
结构 Construction	齿轮传动 Gear drive
额定电压 Rated Voltage (DCV)	36/48
额定功率 Rated Power (W)	350/500
时速 speed(kph)	25 ~ 45
最大扭矩 Max Torque	60N.m
效率 Efficiency (%)	≥ 80
颜色 Color	黑/银 Black / Silver
重量 Weight (kg)	3.5
噪音 Noise Grade (dB)	< 55
工作温度 Operating Temperature	-20-45°C

安装参数 Mounting Parameters

刹车 Brake	碟刹 Disc Brake
开档尺寸 Installation Widths (mm / OLD)	142
最大外径 Max. Housing Diameter (mm)	158
辐条孔中心距 Spoke Pitch	145
变速 Gearshift	飞轮 Freewheel(7S/8S)
出线位置 Cabling Route	轴侧，左侧 Shaft Side, Left
辐条规格 Spoke Specification	36H*12G
更多技术参数 Further Specifications	
磁钢数 Speed Detection Signal (脉冲/周期)	1~6
电机极数 Magnet Poles (2P)	20
认证 Certifications	
认证 Certifications	CE/EN13849/ROSH

This rear-drive motor, which has a rated power of 350W ~ 500W, maximum torque of 60N.m, provides ideal power for vehicles. Strong and efficient, this motor greatly enhances riding comfort and is suitable for touring bikes, commuter bikes and mountain bikes. It can be black, silver.

▶ M30RY



主要规格 Core Data		后置马达 Rear Motor
安装位置 Position	轮径 Wheel Diameter (Inch)	12/14/16/20/26/27.5/28
结构 Construction	额定电压 Rated Voltage (DCV)	齿轮传动 Gear drive
额定功率 Rated Power (W)	额定功率 Rated Power (W)	24/36/43
时速 speed(kph)	最大扭矩 Max Torque	180/250
效率 Efficiency (%)	效率 Efficiency (%)	25~32
颜色 Color	颜色 Color	32N.m
重量 Weight (kg)	重量 Weight (kg)	≥ 80
噪音 Noise Grade (dB)	噪音 Noise Grade (dB)	黑/银 Black / Silver
工作温度 Operating Temperature	工作温度 Operating Temperature	3.5
		< 50
		-20-45°C
安装参数 Mounting Parameters		
刹车 Brake	刹车 Brake	碟刹 Disc Brake
开档尺寸 Installation Widths (mm / OLD)	开档尺寸 Installation Widths (mm / OLD)	135
最大外径 Max. Housing Diameter (mm)	最大外径 Max. Housing Diameter (mm)	/
辐条孔中心距 Spoke Pitch	辐条孔中心距 Spoke Pitch	/
变速 Gearshift	变速 Gearshift	飞轮 Freewheel(7S/8S)
出线位置 Cabling Route	出线位置 Cabling Route	轴出线，右侧 Through Shaft, Right
辐条规格 Spoke Specification	辐条规格 Spoke Specification	/
更多技术参数 Further Specifications		
磁钢数 Speed Detection Signal	磁钢数 Speed Detection Signal	
(脉冲/周期 Pulses/Cycle)	(脉冲/周期 Pulses/Cycle)	1~6
电机极数 Magnet Poles (2P)	电机极数 Magnet Poles (2P)	20
认证 Certifications		
认证 Certifications	认证 Certifications	CE/EN13849/ROSH

▶ M30



主要规格 Core Data		后置马达 Rear Motor
安装位置 Position	轮径 Wheel Diameter (Inch)	20Inch2.0
结构 Construction	额定电压 Rated Voltage (DCV)	齿轮传动 Gear drive
额定功率 Rated Power (W)	额定功率 Rated Power (W)	24/36/43/48v
时速 speed(kph)	额定功率 Rated Power (W)	180/250/350
最大扭矩 Max Torque	时速 speed(kph)	25 ~ 32
效率 Efficiency (%)	最大扭矩 Max Torque	40N.m
颜色 Color	效率 Efficiency (%)	≥ 80
重量 Weight (kg)	颜色 Color	黑/银 Black / Silver
噪音 Noise Grade (dB)	重量 Weight (kg)	3.2
工作温度 Operating Temperature	噪音 Noise Grade (dB)	< 52
	工作温度 Operating Temperature	-20-45°C
安装参数 Mounting Parameters		
刹车 Brake	刹车 Brake	碟刹 Disc Brake
开档尺寸 Installation Widths (mm / OLD)	开档尺寸 Installation Widths (mm / OLD)	135
最大外径 Max. Housing Diameter (mm)	最大外径 Max. Housing Diameter (mm)	/
辐条孔中心距 Spoke Pitch	辐条孔中心距 Spoke Pitch	/
变速 Gearshift	变速 Gearshift	飞轮 Freewheel(7S/8S)
出线位置 Cabling Route	出线位置 Cabling Route	轴出线，右侧 Through Shaft, Right
辐条规格 Spoke Specification	辐条规格 Spoke Specification	20 inch
更多技术参数 Further Specifications		
磁钢数 Speed Detection Signal	磁钢数 Speed Detection Signal	
(脉冲/周期 Pulses/Cycle)	(脉冲/周期 Pulses/Cycle)	1~6
电机极数 Magnet Poles (2P)	电机极数 Magnet Poles (2P)	20
认证 Certifications		
认证 Certifications	认证 Certifications	CE/EN13849/ROSH

此款电机为后置驱动型，配碟刹使用，额定功率为250W~350W，最大扭矩40 N.m，为车辆提供理想的动力。强劲、高效的特点，大幅度提升骑行舒适感，适合于旅行车，通勤车，山地车。这款电机为黑色、银色两种颜色。

This rear-drive motor, which has a rated power of 250W~350W, maximum torque of 40N.m, provides ideal power for vehicles. Strong and efficient, this motor greatly enhances riding comfort and is suitable for touring bikes, commuter bikes and mountain bikes. It can be black, silver.

► M30FD



主要规格 Core Data		
安装位置 Position	前置马达 Front Motor	
轮径 Wheel Diameter (Inch)	20/26/27.5/28	
结构 Construction	齿轮传动 Gear drive	
额定电压 Rated Voltage (DCV)	24/36/43	
额定功率 Rated Power (W)	180/250	
时速 speed(kph)	25~32	
最大扭矩 Max Torque	35N.m	
效率 Efficiency (%)	≥ 80	
颜色 Color	黑/银 Black / Silver	
重量 Weight (kg)	2.3	
噪音 Noise Grade (dB)	< 50	
工作温度 Operating Temperature	-20~45°C	

安装参数 Mounting Parameters		
刹车 Brake	V-Brake/ Disc Brake	
开档尺寸 Installation Widths (mm / OLD)	100	
最大外径 Max. Housing Diameter (mm)	130	
辐条孔中心距 Spoke Pitch	119	
出线位置 Cabling Route	轴侧, 右侧 Shaft Side, Right	
辐条规格 Spoke Specification	36H*13G	

更多技术参数 Further Specifications		
磁钢数 Speed Detection Signal (脉冲/周期 Pulses/Cycle)	1~6	
电机极数 Magnet Poles (2P)	20	

认证 Certifications		
认证 Certifications	CE/EN13849/ROSH	

► M30RD



主要规格 Core Data		
安装位置 Position	后置马达 Rear Motor	
轮径 Wheel Diameter (Inch)	20/26/27.5/28	
结构 Construction	齿轮传动 Gear drive	
额定电压 Rated Voltage (DCV)	24/36/43/48v	
额定功率 Rated Power (W)	180/250/350	
时速 speed(kph)	25~32	
最大扭矩 Max Torque	35N.m	
效率 Efficiency (%)	≥ 80	
颜色 Color	黑/银 Black / Silver	
重量 Weight (kg)	2.5	
噪音 Noise Grade (dB)	< 50	
工作温度 Operating Temperature	-20~45°C	

安装参数 Mounting Parameters		
刹车 Brake	碟刹 Disc Brake	
开档尺寸 Installation Widths (mm / OLD)	135	
最大外径 Max. Housing Diameter (mm)	130	
辐条孔中心距 Spoke Pitch	119	
变速 Gearshift	飞轮 Freewheel(7S/8S)	
出线位置 Cabling Route	轴出线, 右侧 Through Shaft, Right	
辐条规格 Spoke Specification	36H*13G	

更多技术参数 Further Specifications		
磁钢数 Speed Detection Signal (脉冲/周期 Pulses/Cycle)	1~6	
电机极数 Magnet Poles (2P)	20	

认证 Certifications		
认证 Certifications	CE/EN13849/ROSH	

This rear-drive motor, which has a rated power of 250W~350W, maximum torque of 35 N.m, provides ideal power for vehicles. Strong and efficient, this motor greatly enhances riding comfort and is suitable for touring bikes, commuter bikes and mountain bikes. It can be black, silver.

此款电机为后置驱动型，配碟刹使用，额定功率为250W~350W，最大扭矩35 N.m，为车辆提供理想的动力。强劲、高效的特点，大幅度提升骑行舒适感，适合于旅行车，通勤车，山地车。这款电机为黑色、银色两种颜色。

▶ M30CD

主要规格 Core Data

安装位置 Position	后置马达 Rear Motor
轮径 Wheel Diameter (Inch)	20/26/27.5/28
结构 Construction	齿轮传动 Gear drive
额定电压 Rated Voltage (DCV)	24/36/43
额定功率 Rated Power (W)	180/250
时速 speed(kph)	25~32
最大扭矩 Max Torque	35N.m
效率 Efficiency (%)	≥ 80
颜色 Color	黑/银 Black / Silver
重量 Weight (kg)	2.6
噪音 Noise Grade (dB)	< 50
工作温度 Operating Temperature	-20-45°C

安装参数 Mounting Parameters

刹车 Brake	碟刹 Disc Brake
开档尺寸	
Installation Widths (mm / OLD)	145
最大外径	
Max. Housing Diameter (mm)	130
辐条孔中心距 Spoke Pitch	119
变速 Gearshift	卡基 Cassette (7S/8S/9S)
出线位置 Cabling Route	轴出线, 右侧 Through Shaft, Right
辐条规格 Spoke Specification	36H*13G

更多技术参数 Further Specifications

磁钢数 Speed Detection Signal	
(脉冲/周期 Pulses/Cycle)	1~6
电机极数 Magnet Poles (2P)	20

认证 Certifications

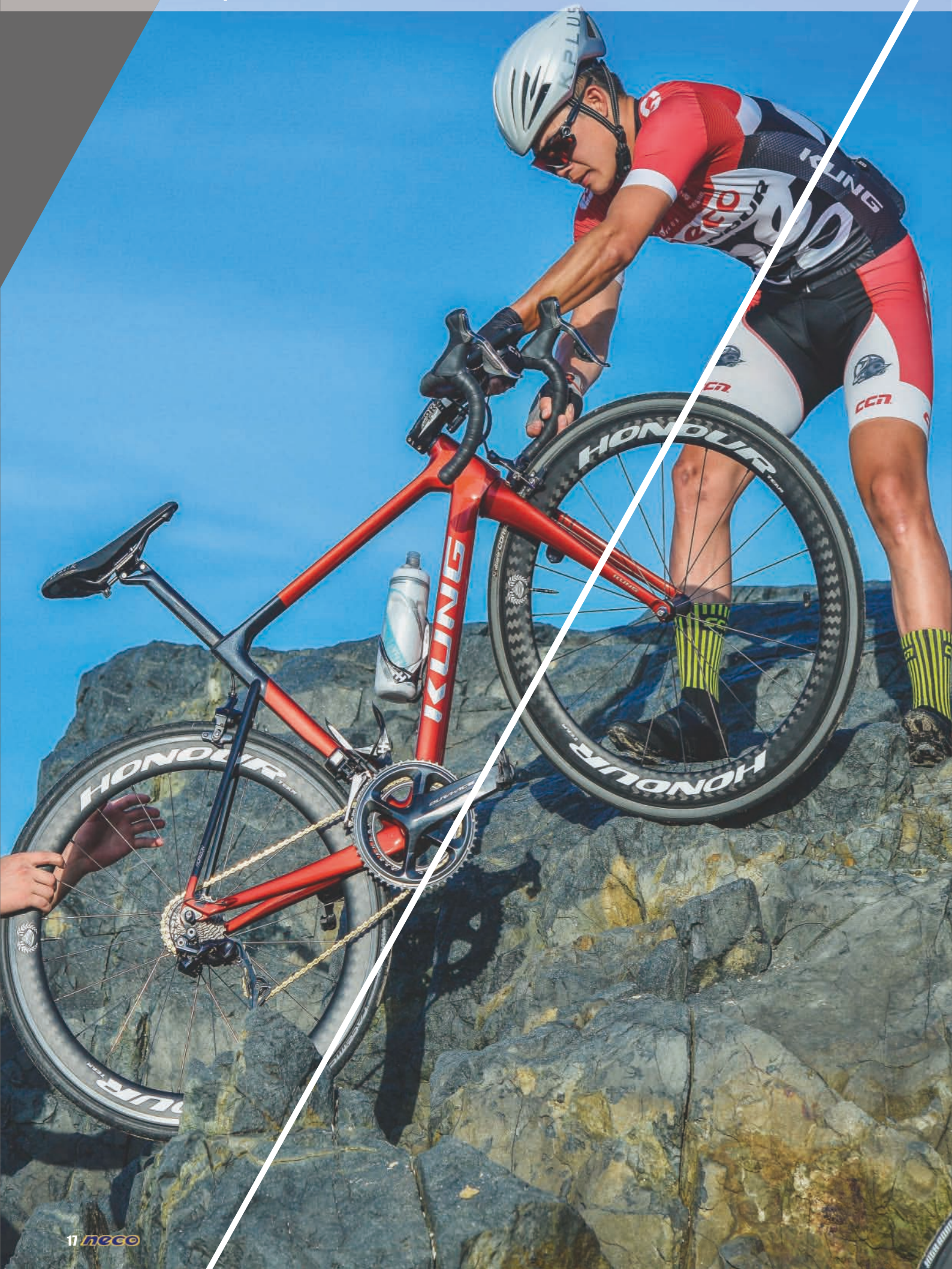
认证 Certifications	CE/EN13849/ROSH
-------------------	-----------------



此款电机为后置驱动型，配碟刹使用，额定功率为250W，最大扭矩35 N.m，为车辆提供理想的动力。强劲、高效的特点，结合卡式变速机构，大幅度提升骑行舒适感，适合于旅行车，通勤车，山地车。这款电机为黑色、银色两种颜色。

This rear-drive motor, which is compatible with the disc brake, has a rated power of 250W, maximum torque of 35 N.m, providing ideal power for vehicles. Strong and efficient, this motor, working together with a cassette speed change mechanism, greatly enhances riding comfort and is suitable for touring bikes, commuter bikes and mountain bikes. It can be black or silver.





► M20RD



主要规格 Core Data

安装位置 Position	后置马达 Rear Motor
轮径 Wheel Diameter (Inch)	20/26/27.5/28
结构 Construction	齿轮传动 Gear drive
额定电压 Rated Voltage (DCV)	24/36/43
额定功率 Rated Power (W)	180/250
时速 speed(kph)	25~32
最大扭矩 Max Torque	35N.m
效率 Efficiency (%)	≥ 80
颜色 Color	黑/银 Black / Silver
重量 Weight (kg)	2
噪音 Noise Grade (dB)	< 50
工作温度 Operating Temperature	-20-45°C

安装参数 Mounting Parameters

刹车 Brake	碟刹 Disc Brake
开档尺寸 Installation Widths (mm / OLD)	135
最大外径 Max. Housing Diameter (mm)	120
辐条孔中心距 Spoke Pitch	109
变速 Gearshift	飞轮 Freewheel (7S/8S)
出线位置 Cabling Route	轴出线, 左侧 Shaft outlet, left
辐条规格 Spoke Specification	36H*13G

更多技术参数 Further Specifications

磁钢数 Speed Detection Signal (脉冲/周期 Pulses/Cycle)	1~6
电机极数 Magnet Poles (2P)	16

认证 Certifications

认证 Certifications	CE/EN13849/ROSH
-------------------	-----------------

► M20FD



主要规格 Core Data

安装位置 Position	前置马达 Front Motor
轮径 Wheel Diameter (Inch)	20/26/27.5/28
结构 Construction	齿轮传动 Gear drive
额定电压 Rated Voltage (DCV)	24/36/43
额定功率 Rated Power (W)	180/250
时速 speed(kph)	25~32
最大扭矩 Max Torque	35N.m
效率 Efficiency (%)	≥ 80
颜色 Color	黑/银 Black / Silver
重量 Weight (kg)	1.8
噪音 Noise Grade (dB)	< 50
工作温度 Operating Temperature	-20-45°C

安装参数 Mounting Parameters

刹车 Brake	碟刹 Disc Brake
开档尺寸 Installation Widths (mm / OLD)	100
最大外径 Max. Housing Diameter (mm)	120
辐条孔中心距 Spoke Pitch	109
出线位置 Cabling Route	轴出线, 左侧 Shaft outlet, left
辐条规格 Spoke Specification	36H*13G

更多技术参数 Further Specifications

磁钢数 Speed Detection Signal (脉冲/周期 Pulses/Cycle)	1~6
电机极数 Magnet Poles (2P)	16

认证 Certifications

认证 Certifications	CE/EN13849/ROSH
-------------------	-----------------

此款电机为前置驱动型，配碟刹使用，额定功率为250W，最大扭矩35N.m，为车辆提供理想的动力。适合于城市车、旅行车。共有黑色和银色两种颜色。

This front-drive motor, which is compatible with the disc brake, has a rated power of 250W, maximum torque of 35 N.m, providing ideal power for vehicles. This motor is suitable for touring bikes, commuter bikes and mountain bikes. It can be black or silver.

M20CD

主要规格 Core Data

安装位置 Position	后置马达 Rear Motor
轮径 Wheel Diameter (Inch)	20/26/27.5/28
结构 Construction	齿轮传动 Gear drive
额定电压 Rated Voltage (DCV)	24/36/43
额定功率 Rated Power (W)	180/250
时速 speed(kph)	25~32
最大扭矩 Max Torque	35N.m
效率 Efficiency (%)	≥ 80
颜色 Color	黑/银 Black / Silver
重量 Weight (kg)	2.2
噪音 Noise Grade (dB)	< 50
工作温度 Operating Temperature	-20-45°C

安装参数 Mounting Parameters

刹车 Brake	碟刹 Disc Brake
开档尺寸 Installation Widths (mm / OLD)	137
最大外径 Max. Housing Diameter (mm)	120
辐条孔中心距 Spoke Pitch	109
变速 Gearshift	卡基 Cassette (7S/8S/9S)
出线位置 Cabling Route	轴出线, 左侧 Shaft outlet, left
辐条规格 Spoke Specification	36H*13G

更多技术参数 Further Specifications

磁钢数 Speed Detection Signal (脉冲/周期 Pulses/Cycle)	1~6
电机极数 Magnet Poles (2P)	16

认证 Certifications

认证 Certifications	CE/EN13849/ROSH
-------------------	-----------------



此款电机为后置驱动型，配碟刹使用，额定功率为250W，最大扭矩35N.m，为车辆提供理想的动力。强劲、高效的特点，结合卡式变速机构，大幅度提升骑行舒适感，适合于旅行车，通勤车，山地车。这款电机为黑色、银色两种颜色。

This rear-drive motor, which is compatible with the disc brake, has a rated power of 250W, maximum torque of 35 N.m, providing ideal power for vehicles. Strong and efficient, this motor, working together with a cassette speed change mechanism, greatly enhances riding comfort and is suitable for touring bikes, commuter bikes and mountain bikes. It can be black or silver.



M10



主要规格 Core Data

安装位置 Position	前/后置马达 Front/Rear Motor
轮径 Wheel Diameter (Inch)	10
结构 Construction	齿轮传动 Gear drive
额定电压 Rated Voltage (DCV)	24/36/43/48V
额定功率 Rated Power (W)	250/350W/500W
时速 speed(kph)	25
最大扭矩 Max Torque	28N.m
效率 Efficiency (%)	≥ 80
颜色 Color	黑/银 Black / Silver
重量 Weight (kg)	2.8
噪音 Noise Grade (dB)	< 52
工作温度 Operating Temperature	-20-45°C

安装参数 Mounting Parameters

刹车 Brake	碟刹 Disc Brake
开档尺寸	100/120
Installation Widths (mm / OLD)	
最大外径	165
Max. Housing Diameter (mm)	轴出线, 右侧
出线位置 Cabling Route	Through Shaft, Right

更多技术参数 Further Specifications

磁钢数 Speed Detection Signal	
(脉冲/周期 Pulses/Cycle)	1~6
电机极数 Magnet Poles (2P)	20

认证 Certifications

认证 Certifications	CE/EN13849/ROSH
-------------------	-----------------

此款一体轮式电机效率高、易安装、耗能低、低噪音、稳固、耐磨、抓地力强, 适合于小型滑板车、折叠车。

This rigid-wheel motor, which is featured by high efficiency, being easy to install, low energy consumption, low noise and high stability, will be assembled onto the wear-resistant tyre of strong grip and is especially suitable for small scooters and folding bikes.

M10-Z



主要规格 Core Data

安装位置 Position	前/后置马达 Front/Rear Motor
轮径 Wheel Diameter (Inch)	10
结构 Construction	/
额定电压 Rated Voltage (DCV)	24/36/43/48V
额定功率 Rated Power (W)	250/350W/500W
时速 speed(kph)	25~32
最大扭矩 Max Torque	25N.m
效率 Efficiency (%)	≥ 80
颜色 Color	黑/银 Black / Silver
重量 Weight (kg)	
噪音 Noise Grade (dB)	< 52
工作温度 Operating Temperature	-20-45°C

安装参数 Mounting Parameters

刹车 Brake	碟刹 Disc Brake
开档尺寸	
Installation Widths (mm / OLD)	100/120
最大外径	
Max. Housing Diameter (mm)	165
出线位置 Cabling Route	轴出线, 右侧
	Through Shaft, Right

更多技术参数 Further Specifications

磁钢数 Speed Detection Signal	
(脉冲/周期 Pulses/Cycle)	15
电机极数 Magnet Poles (2P)	30

认证 Certifications

认证 Certifications	CE/EN13849/ROSH
-------------------	-----------------

此款一体轮式电机效率高、易安装、耗能低、低噪音、稳固、耐磨、抓地力强, 适合于小型滑板车、折叠车。

This rigid-wheel motor, which is featured by high efficiency, being easy to install, low energy consumption, low noise and high stability, will be assembled onto the wear-resistant tyre of strong grip and is especially suitable for small scooters and folding bikes.

BB36力矩传感器 BB36Torque sensor



主要规格 Core Data

分类 Type	力矩传感器、速度传感器 Torque Sensor. Speed Sensor
额定输入电压 Input Voltage(DCV)	4.2 -5
额定输出电压 Output Voltage(DCV)	1.5-3.5
工作温度 Operation Temperature	-20-45°C
轴标准 Shaft Standard	JIS
重量 Weight (g)	980

安装参数 Mounting Parameters

BB宽度 BB Width(mm)	68/73/84/100/120
安装位置 Mounting Position	BB

认证 Certifications

认证 Certifications	CE/EN13849/ROSH
-------------------	-----------------

尺寸 DIMENSIONS

尺寸 Dimension A	46/51mm
尺寸 Dimension B	68 /73/84/100/120mm
尺寸 Dimension C	>34mm

此款传感器检测双踏板力矩、速度同时进行精准测量。具有精度高、反应灵敏、使用寿命长、免校验等特点。

This sensor detects dual-pedal torque signals and speed signals accurately. It is featured by high sensitivity to pedal signals, long service life, simple maintenance, etc.

BB—T3



主要规格Core Data

分类Type	力矩传感器、速度传感器 Torque Sensor. Speed Sensor
额定输入电压Input Voltage(DCV)	4.2-5
额定输出电压Output Voltage(DCV)	1.5-3.5
工作温度Operation Temperature	- 20-45°C
轴标准Shaft Standard	JIS
重量Weight (g)	550

安装参数Mounting Parameters

BB宽度BB Width(mm)	68/73/84/100/120
安装位置Mounting Position	BB

认证Certifications

认证Certifications	CE/EN13849/ROSH
------------------	-----------------

此款传感器检测双踏板力矩、速度同时进行精准测量。具有精准度高、反应灵敏、使用寿命长、免校验等特点。

This sensor detects dual-pedal torque signals and speed signals accurately. It is .featured by high sensitivity to pedalsignals, long service life, simple maintenance, etc.

▶ BB-T2力矩传感器 BB-T2 Torque Sensor



此款传感器检测双踏板力矩、速度同时进行精准测量。具有精准度高、反应灵敏、使用寿命长、免校验等特点。

主要规格Core Data 分类Type

额定输入电压Input Voltage(DCV)	4.2-5
额定输出电压Output Voltage(DCV)	1.5-3.5
工作温度Operation Temperature	- 20-45°C
轴标准Shaft Standard	JIS
重量Weight (g)	550

力矩传感器、速度传感器
Torque Sensor.
Speed Sensor

安装参数Mounting Parameters

BB宽度BB Width(mm)	68/73/84/100/120
安装位置Mounting Position	BB

认证Certifications

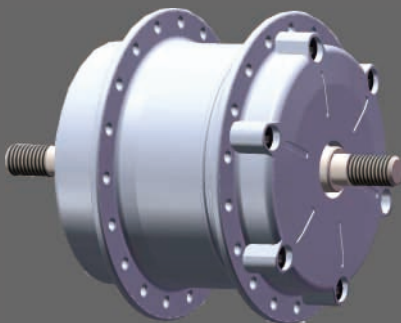
认证Certifications	CE/EN13849/ROSH
------------------	-----------------

This sensor detects dual-pedal torque signals and speed signals accurately. It is featured by high sensitivity to pedalsignals, long service life, simple maintenance, etc.

▶ M100FD

此款电机为前置驱动型，配碟刹使用，额定功率为250W，最大扭矩32N.m，为车辆提供理想的动力适合于城市车、旅行车。共有黑色和银色两种颜色。

This motor is a front-drive type and is used with disc brakes. The rated power is 250W and the maximum torque is 32N.m. It provides ideal power for vehicles and is suitable for city cars and station wagons. There are two colors black and silver.



主要规格Core Data

安装位置Position	前置马达Front Motor
轮径Wheel Diameter (Inch)	16/18/20/26/27.5/28
结构Construction	齿轮传动Gear drive
额定电压Rated Voltage (DCV)	24/36
额定功率Rated Power (W)	180/ 250
时速speed (kph)	25
最大扭矩Max Torque .	32N.m
效率Efficiency (%)	三>c80
颜色Color	黑/银Black / Silver .
重量Weight (kg)	1.5
噪音Noise Grade (dB)	< 50
工作温度Operating Temperature	- 20-45°C

安装参数Mounting Parameters

刹车Brake	碟刹Disc Brake .
开档尺寸Installation Widths (mm / OLD)	100
最大外径Max. Housing Diameter (mm)	102
辐条孔中心距Spoke Pitch	91
变速Gearshift	轴侧，左侧Shaft Side, Left
出线位置Cabling Route	Left
辐条规格Spoke Specification	36H* 13G

认证Certifications

认证Certifications	CE/ROHS
------------------	---------

► P12 Lsensor

主要规格 Core Data

分类 Type	Speed Sensor
额定输入电压 Input Voltage(DCV)	4.2 -5
信号踏板顺时针 Signal pedal clockwise	12pulse
工作温度 Operation Temperature	-20-45°C

安装参数 Mounting Parameters

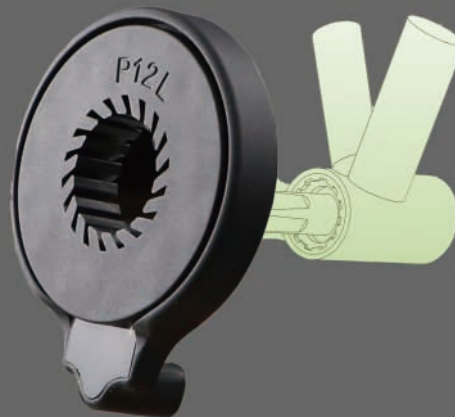
BB宽度 BB Width(mm)	68/73/84/100/120
安装位置 Mounting Position	BB

认证 Certifications

认证 Certifications	CE/EN13849/ROSH
-------------------	-----------------

尺寸 DIMENSIONS

尺寸 Dimension A	φ15.6mm
尺寸 Dimension B	φ44mm
尺寸 Dimension C	7mm



此款传感器检测双踏板速度同时进行精准测量。具有精准度高、反应灵敏、使用寿命长、免校验等特点。

This sensor detects dual-pedal speed signals accurately. It is featured by high sensitivity to pedal signals, long service life, simple maintenance, etc.

Speed Sensor

S1

S2

分类 Type	速度传感器 Speed Sensor	速度传感器 Speed Sensor
额定输入电压 Input Voltage(DCV)	4.2 -5	4.2 -5
Signals (Pulsrs/Cycle)	1Pluse	1Pluse
工作温度 Operation Temperature	-20-45°C	-20-45°C
轴标准 Shaft Standard	JIS	JIS
重量 Weight (g)	19	19
认证 Certifications		
Tests &Certifications	IP level: IP65 CE/EN13849/ROSH	IP level: IP65 CE/EN13849/ROSH



03

Display
components
显示器组件





仪表LBS2 Display LBS2

Rated Power 额定电压: 24/36/48/52/60/72V

Communication Protocol 通信协议: UART/485/CAN

Cable Outlet Definition 线序定义:

RED: Battery+ (Battery Power 24V/36V/48V)

Blue: Controller lock cable

Black: GND

Green: RXD display input signal, display receives signal from controller

Yellow: TXD display output signal, display sends signal to controller

红: 电池正极(电池电源24V/36V/48V)

蓝: 控制器锁线

黑: GND

绿: RXD仪表输入信号, 仪表从控制器接收信号

黄: TXD仪表输出信号, 仪表发送信号到控制器

Proper price with better quality. You deserve it!

合理的价格, 卓越的品质, 值得你拥有!

仪表 C600 Display C600



· 修改软件即可匹配24v, 36v, 48v系统

· 助力模式, 车速, 单次里程/总里程

· 显示电池电量

· 系统自检并显示故障代码

· Same hardware with different software can match 24v,36v,48v system

· PAS level,speed,Trip/ODO

· Battery indicate

· Error codes displayed automatically



仪表 C6 Display C6

修改软件即可匹配24v, 36v, 48v系统

- 助力模式, 车速, 单次里程/总里程
- 显示电池电量
- 系统自检并显示故障代码

· Same hardware with different software can match 24v,36v,48v system

- PAS level,speed,Trip/ODO
- Battery indicate
- Error codes displayed automatically

▶ 仪表CDC1 Display CDC1

修改软件即可匹配24v, 36v, 48v系统

- 助力模式, 车速, 单次里程/总里程
- 显示电池电量
- 集成转把功能, 一体化设计
- 系统自检并显示故障代码

· Same hardware with different software can match 24v,36v,48v system

- PAS level,speed,Trip/ODO
- Integrated throttle function
- Battery indicate
- Error codes displayed automatically



CDC1R



CDC1L

额定电压rated voltage	24V or 36V or 48V
额定工作电流rated work current	10mA
开关最大电流输出 switch max current output	200mA
工作模式work mode	UART or CAN commubication
线序定义wires out definition	wires out definition
red 红	电池正极 battery +
blue 蓝	电锁battery +_out(power switch)
black 黑	电池负极 battery-
white 白	仪表通讯信号发送 TXD
green 绿	仪表通讯信号接收 RXD

▶ 仪表 C800 Display C800



- "3.2' big screen will show your easy view.
- Anodizing aluminum alloy frame show you high quality easy key button , easy control, enjoy your trip .
- 2 pcs PMMA to keep housing waterproof and show you good appearance.
- Certificate: CE / ROHS / IP65".

- "3.2英寸的屏幕将显示简单视图。
- 阳极氧化铝合金边框，品质卓越
- 轻松的按键，轻松的控制，享受你的旅程。
- 双层有机玻璃，防水效果更佳，外观美观
- 证书:CE / ROHS / IP65"

▶ 仪表 C300S Display C300S



- 修改软件即可匹配24v, 36v, 48v系统
- 助力模式，车速，单次里程/总里程
- 显示电池电量
- 系统自检并显示故障代码
- Same hardware with different software can match 24v,36v,48v system
- PAS level,speed,Trip/ODO
- Battery indicate
- Error codes displayed automatically

▶ LB6C



- The large 4.15-inch screen is even more atmospheric
- Brake cues should be completely reliable
- Cruise function shows intelligence
- The speed bar display is more dynamic

- 4.15英寸超大屏幕更加霸气
- 刹车提示安全可靠
- 巡航功能彰显智能
- 速度条显示更具人性化

▶ LB7C-2



- The large 3.61-inch screen shows higher definition
- Cruising is smarter
- Three layers of waterproof structure. Better waterproof effect
- Easy to operate walk mode and lamp control

- 3.61英寸大屏幕显示更加清晰
- 巡航功能更加智能
- 三层防水处理, 防水效果更佳
- 助推功能, 车灯控制操作便捷

仪表 C11 Display C11

额定电压Rated voltage: 20V-60V
 额定工作电流rated work current: 0.3A
 液晶屏种类LED screen type: 彩屏LED screen type
 工作温度Operating temperature: -20°C—60°C
 档位Tap position: 0-3/0-5/0-9
 尺寸Size: 70*49mm

- PAS等级, 速度, 行程/ ODO
- 电池电量百分比指示
- 错误代码自动显示
- 集成节气门功能
- 密码验证 (可选)
- USB手机充电
- 可以匹配24v,36v,48v等各种不同软件

- PASlevel,speed,Trip/ODO
- Battery percentage indication
- Error codes displayed automatically
- Integrated throttle function
- Password verificaton (optional)
- USB mobile phone charging
- Can match 24v, 36v, 48v and other different software8v system

控制器Controller INC-3625P-2

- 修改软件即可匹配24v、36v、48v系统
- 模块化控制器, 节省存放空间
- 预留可编程接口
- 通配所有速度和力矩传感器
- 采用FOC驱动方案, 动力输出更柔和
- Same hardware with different software can match 24v,36v,48v systems
- Waterproof connectors inside controller,save space
- Reserve programing port
- Maching all the cadence and torque sensors
- FOC sine-wave driving technology



Core Data

Rated Voltage (DCV) 24/36/43/48
 Low Voltage Protection (DCV) 21/32/38/42
 Current Limit (A) 13/16/18
 Weight (g) 50
 Operating Temperature -20 - 45°C

Mounting Parameters

Dimensions (mm) 86*50*33
 E-Brake Level Yes

Further Specifications

PAS Mode Speed ,Speed and Torque Sensor
 Square Wave

Control Type

Tests & Certifications IP level: IP65
 Certifications CE/EN13849/ROSH

控制器 Controller INC-3625P-1



- Same hardware with different software can match 24v,36v,48v systems
- Waterproof connectors inside controller,save space
- Reserve programing port
- Maching all the cadence and torque sensors
- FOC sine-wave driving technology

Core Data

Rated Voltage (DCV)	24/36/43/48
Low Voltage Protection (DCV)	21/32/38/42
Current Limit (A)	13/16/18
Weight (g)	50
Operating Temperature	-20 - 45°C

Mounting Parameters

Dimensions (mm)	78*53*23.5
E-Brake Level	Yes

Further Specifications

PAS Mode	Speed ,Speed and Torque Sensor Square Wave
----------	--

Control Type

Tests & Certifications	IP level: IP65
Certifications	CE/EN13849/ROSH

- 修改软件即可匹配24v、36v、48v系统
- 模块化控制器，节省存放空间
- 预留可编程接口
- 通配所有速度和力矩传感器
- 采用FOC驱动方案，动力输出更柔和

控制器 Controller INC-3625P-3



Core Data

Rated Voltage (DCV)	24/36/48
Low Voltage Protection (DCV)	21.5/31.5/41.5
Current Limit (A)	13/16/18
Weight (g)	45
Operating Temperature	-20 - 45°C

Mounting Parameters

Dimensions (mm)	340*65*25
E-Brake Level	Yes

Further Specifications

PAS Mode	Speed ,Speed and Torque Sensor Square Wave
----------	--

Control Type

Tests & Certifications	IP level: IP65
Certifications	CE/EN13849/ROSH

- 修改软件即可匹配24v、36v、48v系统
- 预留可编程接口
- 通配所有速度和力矩传感器
- 采用FOC驱动方案，动力输出更柔和

- Same hardware with different software can match 24v,36v,48v systems
- Reserve programing port
- Maching all the cadence and torque sensors
- FOC sine-wave driving technology

04

ROAD BIKE COMPONENTS 公路自行车组件



► Shift/Brake Lever



Invented THREE-IN-ONE Technology makes NECO Shift - er/brake lever Changing gears easier and faster. Longer Shifter lever to improve the reach from the hood Lever lock mechanism eliminate shifting while braking operation.

Anti-slip design for hood cover

Compatible with SRAM 11S Road RD

Weight:320g/pair

创新的三合一技术，高度集成的变速/刹车一体化设计变速轻松快捷
消除由两杆或三杆变速系统带来的任何困惑

加长的变速/刹车杆提高了操控性

拨杆锁定机构消除刹车操作时产生变档的误操作

握把皮套防滑设计

兼容SRAM公路11速后拨

重量：320克

► REAR DERAILLEUR



1:1 TECHNOLOGY to get fast and accurate shifts

All Al design makes the Rear Derailleur Lighter and Stronger

Middle-cage design for 11-25T/11-28T cassette

Compatible with SRAM Shift/brake lever

Weight:196g/pcs

1:1拉线技术变速快速精准

全铝合金设计使得产品更加强壮和轻量化

中腿链笼设计可以兼容11-28T的飞轮

兼容SRAM手变

重量：196克

► FRONT DERAILLEUR

Extra wide link design to increase rigidity

Aluminum Body and Links to save weight and improve rigidity Total capacity 16T

Weight:96g/pcs

超宽联接设计提高刚性

主体及各联接件均采用铝合金制造

轻量化及提高刚性

齿差容量：16T

重量：96克



CASSETTE



Speed:11s Road
Cassette Size : 11T-28T
Cassette Material : Steel Cassette
Fiish : ChemicalNi Ring:Steel
Weight:300g
Number Of Teeth
11-25T,11-28T

速别：11速公路飞轮
规格：11-25T;11-28T
重量：300克

Shift/Barke Lever



necoR9

Invented THREE-IN-ONE Technology makes NECO Shifter/brake lever Changing gears easier and faster. Longer Shifter lever to improve the reach from the hood Lever lock mechanism eliminate shifting while braking operation .
Compatible with Shimano Road 9S RD
Anti-slip design for hood cover

创新的三合一技术，高度集成的变速/刹车一体化设计
变速轻松快捷
消除由两杆或三杆变速系统带来的任何困惑。
加长的变速/刹车杆提高了操控性
拨杆锁定机构消除刹车操作时产生变档的误操作
兼容Shimano9速后拨
握把皮套防滑设计

FRONT DERAILLEUR



necoR9

Extra wide link design to increase rigidity
Aluminum Body and Links to save weight and improve rigidity
Direct mount and Clamp mount optional
Total capacity 16T

超宽联接设计提高刚性
主体及各联接件均采用铝合金制造
直装式和夹环式两种选项
齿差容量：16T

REAR DERAILLEUR



necoR9

2:1 TECHNOLOGY compatibility
Middle-cage design for 11-32T cassette
2:1拉线比设计，市场兼容性强
中腿拨链片设计可兼容32T飞轮

TRIGGER SHIFTER



necoR8

Invented THREE-IN-ONE Technology makes NECO Shifter/brake lever Changing gears easier and faster.

Longer Shifter lever to improve the reach from the hood.Lever lock mechanism eliminate shifting while braking operation.

Compatible with Shimano Road 8S RD

Anti-slip design for hood cover

创新的三合一技术高度集成的变速/刹车一体化设计
变速轻松快捷

消除由两杆或三杆变速系统带来的任何困惑。

加长的变速/刹车杆提高了操控性

拨杆锁定机构消除刹车操作时产生变档的误操作

兼容Shimano8速后拨

握把皮套的防滑设计

FRONT DERAILLEUR



necoR8

Extra wide link design to increase rigidity

Aluminum Body and Links to save weight and improve rigidity

Direct mount and Clamp mount optional

Total capacity 16T

超宽联接设计提高刚性

主体及各联接件均采用铝合金制造

直装式和夹环式两种选项

齿差容量：16T



REAR DERAILLEUR

2:1 TECHNOLOGY compatibility Middle-cage design for 11-32T cassette

2:1拉线比设计，市场兼容性强
中腿拨链片设计可兼容32T飞轮





05

mountain BIKE
COMPONENTS
山地自行车组件

► CASSETTE

Speed:13S MTB

Cassette Size:11T-50T/11-52T

Cassette Material:Steel

Cassette Finish : Chemical Ni Ring : Steel

Weight:680g

13速飞轮

飞轮尺寸: 11-50T、11-52T

重量: 680克



► TRIGGER SHIFTER



2-Direction release

Precise and consistent shifting performance

Aluminum down-shift lever with Anti-slip design

Refined shape and 20% smaller vs. RX shifter

Weight:136g

双向释放

精准的变速表现

具有防滑设计的铝合金降档拨杆

适合各种环境下的骑行

重量: 136克

► REAR DERAILLEUR

Innovative Lower profile design for more aggressive riding

1:1 Technology to get precise and smooth shifting performance

Adjustable Rear Derailleur Stabilizer eliminate chain slap

Full Aluminum Parts

Weight:318g

低轮廓外形, 适合各种恶劣地形和环境

准确顺滑的1:1变速技术

可调节链条松弛的稳定装置

全铝合金制造的零件

重量: 318克



1X13MTB 13S、11-50T、11-52T

► REAR DERAILLEUR

1X12 MTB 12S
11-46T、11-50T、11-52T



Innovative Lower profile design for more aggressive riding
1:1 Technology to get precise and smooth shifting performance
Adjustable Rear Derailleur Stabilizer eliminate chain slap
Full Aluminum Parts
Weight:318g

低轮廓外形，适合各种恶劣地形和环境
准确顺滑的1:1变速技术
可调节链条松弛的稳定装置
全铝合金制造的零件
重量：318克

► TRIGGER SHIFTER

2-Direction release
Precise and consistent shifting performance
Aluminum down-shift lever with Anti-slip design
Refined shape and 20% smaller vs. RX shifter
Weight:136g

双向释放
精准的变速表现
具有防滑设计的铝合金降档拨杆
适合各种环境下的骑行
重量：136克



► CASSETTE



Speed:12SMTB

Cassette Size:11-46T/11T-50T/11-52T

Cassette Material:Steel

Cassette Finish: Chemical Ni

Ring : Steel

Weight:630g

12速飞轮

飞轮尺寸: 11-46T、11-50T、11-52T

重量: 630克

► REAR DERAILLEUR

Refined cable routing to reduce all kinds of risk

Extra wide link design to increase rigidity

1:1 Technology to get strong compatible

Max capacity 42T Cassette

改良的变速拉线布置消除各种骑行风险

超宽链接设计提高整体的刚性

1:1拉线比, 兼容性强

最大兼容42T飞轮



► FRONT DERAILLEUR



Extra wide link design to increase rigidity
Top Swing design to get precise and fast shifting
Dual pull link design
3x11FD for 42-32-22T compatible
3x11FD for 42-34-24T compatible

超宽链接设计提高整体的刚性
performance 上摆式设计，快速准确的变速表现
双拉链接设计适应各种走线
3x11速前拨兼容42-32-22T链轮
3x11速前拨兼容42-34-24T链轮

► TRIGGER SHIFTER

2-Direction release
Precise and consistent shifting performance
Ergonomic lever shape and easy to access with brake lever
Anti-slip design for Down-shift lever

双向释放
精准的变速表现
符合人体工学的拨杆外形设计，能与各种刹车把手配合
降档拨杆的防滑设计，适合各种环境下的骑行



誌慶—專業自行車零件製造商
NECO – Professional Bike Parts Manufacturers





▶ CASSETTE

Speed:11SMTB

CassetteSize:11T-40T,11-36T

Cassette Material : Steel

Cassette Fiish : ChemicalNi

Ring : Steel

Weight:550g

▶ REAR DERAILLEUR

Innovative Lower profile design for more aggressive riding

Refined cable routing to reduce all kinds of risk

Extra wide link design to increase rigidity

1:1 Technology to get precise and smooth shifting performance

Max capacity 42T Cassette

低轮廓外形，适合各种恶劣地形及环境

改良的变速拉线布置消除各种山地骑行风险

超宽链接设计提高整体的刚性

准确顺滑的1:1变速技术

最大兼容42T飞轮



▶ TRIGGER SHIFTER



2-Direction release

Precise and consistent shifting performance

Ergonomic lever shape and easy to access with brake lever

Anti-slip design for Down-shift lever

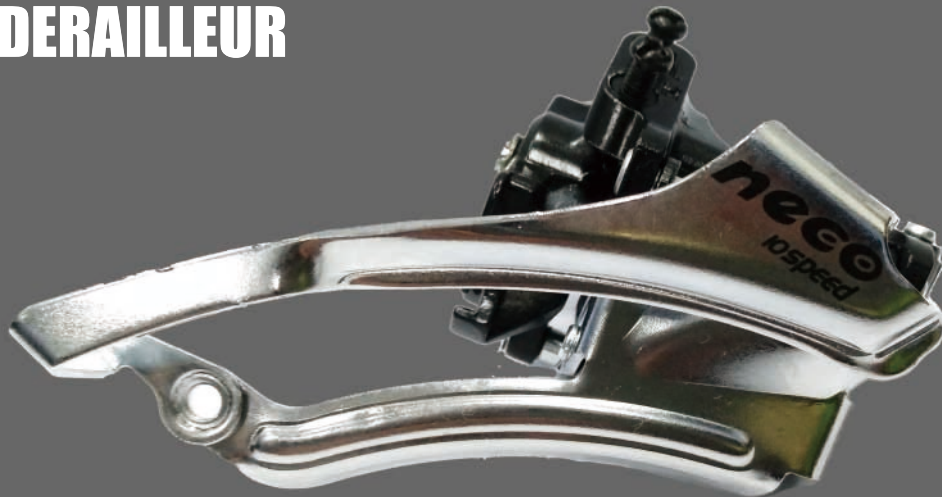
双向释放

精准的变速表现

符合人体工学的拨杆外形设计，能与各种刹车把手配合

降档拨杆的防滑设计，适合各种环境下的骑行

▶ FRONT DERAILLEUR



Extra wide link design to increase rigidity

Top and Down Swing design and Direct Mount design to get precise and fast shifting performance

Dual pullic and fast shifting perfor

3×10 RX-FD for 40-30-22T,42-32-22T compatible

2×10 RX-FD for 26-38T,28-40T compatible

超宽链接设计提高整体的刚性

上摆式和下摆式设计以及装式设计

快速准确的变速表现

双拉链接设计适应各种走线

3×10速前拨兼容4030-22T,42-32-22T链轮

2×10速前拨兼容2638T,2840T链轮

► FRONT DERAILLEUR

Extra wide link design to increase rigidity
Top Swing design to get precise and fast shifting performance
Dual pull link design
3×9 FD for 42-34-24T , 42-32-22T compatible

超宽链接设计提高整体的刚性
上摆式设计，快速准确的变速表现
双拉链接设计适应各种走线
3×9速前拨兼容42-34-24T，42-32-22T链轮



TRIGGER SHIFTER ◀



Precise and consistent shifting performance
Ergonomic lever shape and easy to access with brake lever
1: 1 Cable pull ration

精准的变速表现
符合人体工学的拨杆外形设计，能与各种刹车把手配合
1: 1 拉线比

► CASSETTE

Speed: 10S MTB

Cassette Size : 11T-36T

Cassette Material : Steel

Cassette Finish : ChemicalNi

Ring : Steel

Weight : 415g



► REAR DERAILLEUR

Refined cable routing to reduce all kinds of risk

Extra wide link design to increase rigidity

1:1 Technology to get precise and smooth shifting performance

Max capacity 42T Cassette

超宽链接设计提高整体的刚性

准确顺滑的1:1变速技术

改良的变速拉线布置消除各种骑行风险

最大兼容42T飞轮







 **志庆工业股份有限公司 (台湾总部)**

Neco Technology Industry Co, Ltd(Headquarters)

ADD:No.190.ZhongzhengRd.WufengDist..Taichung City41362.Taiwan, China.

TEL:+886-4-23323966

FAX:+886-4-2332-2866

EMAIL:neco@necoparts.com

 **佛山顺德永庆自行车零件有限公司**

Foshan Shunde Yong Qing Bicycle Parts Co.LTD

ADD:NO.1Chengye road,Gujian Ave,Daliang,Shunde,Foshan,Guangdong,China.

TEL:+86-757-22626599

FAX:+86-757-22626459

EMAIL:sdneco@vip.126.com

 **句容志新精密五金零件有限公司**

Jurong Chih Qing Precision Hardware Co, LTD

ADD: West street Tianwang Town, Jurong City, Jiangsu Province, China

TEL:+86-511-87455666/777/888

FAX:+86-511-8745333

EMAIL:neco-zj@vip.163.com necoparts.maggie@vip.163.com

 **天津明特科技开发有限公司**

NECO TECHNOLOGY(TIANJIN) CO., LTD

ADD:No.17.24th Road Jinhai Economic Development Zone,Jinhai Town Tianjin, China

TEL:+86-22-59591629

FAX:+86-22-59591630

EMAIL:tjneco@163.com necoparts.maggie@vip.163.com

 **贝电机科技 (上海) 有限公司**

ADD:No.5158, Dongchuan Road, Pudong New Area Shanghai, China

MOB:+86-134 8281 9489

FAX:+86-21-20428126

EMAIL:chenhualingbei@163.com